

TANK CAPS AND FILLER NECKS

TAPPI SERBATOIO E COLLETTORI DI CARICO



ARE YOU **READY** FOR THE **FUTURE?**



TANK CAPS AND FILLER NECKS SET UP

COMBINAZIONE TAPPI SERBATOIO E COLLETTORI DI CARICO



- RAL9018 ● RAL9017 ● RAL7047 ●
- RAL1013 ● RAL9010 ○

3 GRIP TANK CAP



- RAL9018 ● RAL9017 ● FIAT210 ○ NCS7000 ●
- RAL7012 ● RAL9010 ○ FIAT249 ○ NCS3000 ●

2 GRIP TANK CAP



- RAL9017 ● FIAT210 ○ RAL7047 ●
- RAL9010 ○ FIAT249 ○ NCS3000 ●

2 GRIP TANK CAP WITH PROTECTIVE FLAP

CAPS

- RAL9017 ●
- RAL9010 ○
- RAL9018 ●
- RAL7011 ●
- RAL1013 ●



STANDARD FILLER NECK
Ø 35 mm | 40 mm | 50 mm

- NCS7000 ●
- RAL7048 ●
- FIAT210 ○
- FIAT249 ○
- RAL9011 ●
- NCS3000 ●

- RAL9017 ●
- RAL9010 ○
- RAL9018 ●
- RAL7011 ●



LONG FILLER NECK
Ø 25 mm | 30 mm | 40 mm | 50 mm

- NCS7000 ●
- RAL7048 ●
- FIAT210 ○
- FIAT249 ○

FILLER NECKS

- RAL9010 ○
- RAL9017 ●

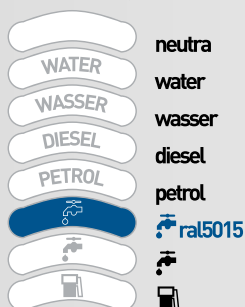


* La guarnizione può essere montata sotto il collettore di carico per garantire impermeabilità.
The gasket can be mounted below the filler neck to give water resistance.

RUBBER GASKET

tipologie disponibili / types available

PLATE / TARGA



PLATE



3 GRIPS TANK CAPS

TAPPI A 3 RAZZE

color codes



RAL9017

Part Nr. Codice	With vent-hole Con foro ventilazione
PLA226	X
* G20A007	X
G20A036	-
G20A037	-
* G20A0213	X

**with key and barrels / con chiave e rotore*

**with iron key and barrels / Con chiave in ferro e rotore*



RAL7011

G20A053	X
* G20A055	X

**with key and barrels / con chiave e rotore*



RAL9018

PLA228	X
* G20A0215	X

**with iron key and barrels / Con chiave in ferro e rotore*



RAL7047

G20A182	X
* G20A0227	X

**with key and barrels / con chiave e rotore*



RAL1013

PLA230	X
* G20A087	X

**with key and barrels / con chiave e rotore*

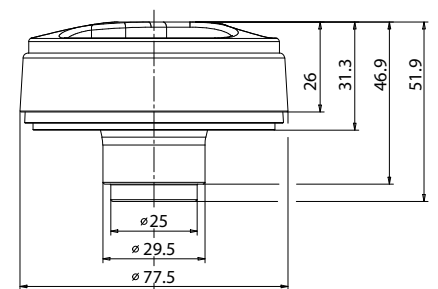
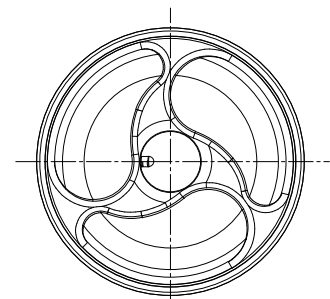


RAL9010

PLA227	X
* G20A010	X
G20A066	-
* G20A0214	X

**with key and barrels / con chiave e rotore*

**with iron key and barrels / Con chiave in ferro e rotore*





2 GRIPS TANK CAPS

TAPPI A 2 RAZZE

color codes



Part Nr. Codice	With vent-hole Con foro ventilazione
G20A146	X
* G20A168	X

**with key and barrels / con chiave e rotore*



G20A0191	X
-----------------	----------



G20A178	X
----------------	----------



G20A154	X
* G20A170	X

**with key and barrels / con chiave e rotore*



G20A162	X
----------------	----------

color codes



Part Nr. Codice	With vent-hole Con foro ventilazione
G20A164	X

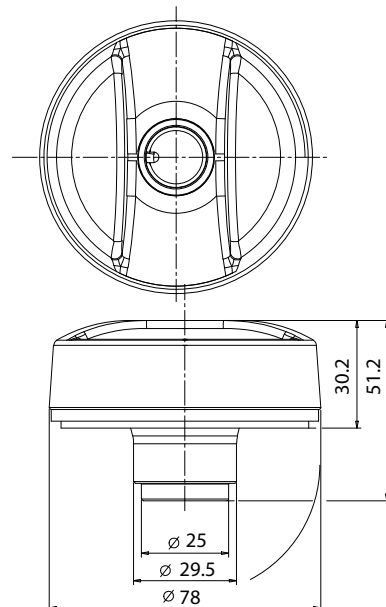


G20A147	X
* G20A169	X
G20A0193	-

**with key and barrels / con chiave e rotore*



G20A152	X
G20A0194	-





2 GRIPS TANK CAPS WITH PROTECTIVE FLAP

TAPPO A 2 RAZZE CON SPORTELLINO PROTEZIONE ROTORE

color codes



RAL9017

Part Nr. Codice	With vent-hole Con foro ventilazione
G20A181	X
G20A0210	-
* G20A0206	X

**with key and barrels / con chiave e rotore*



NCS 7000

* G20A0201	-
------------	---

**with key and barrels / con chiave e rotore*



FIAT 210

G20A179	X
---------	---



RAL9010

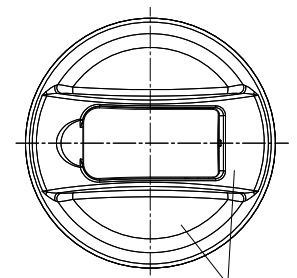
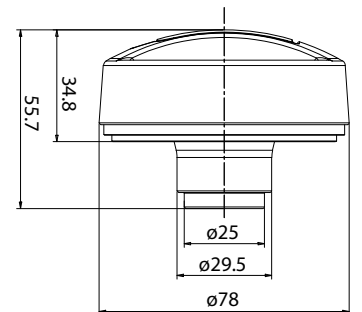
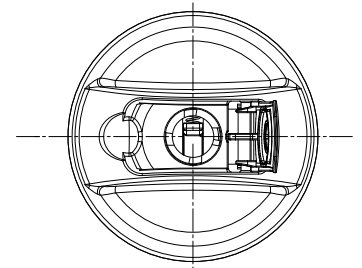
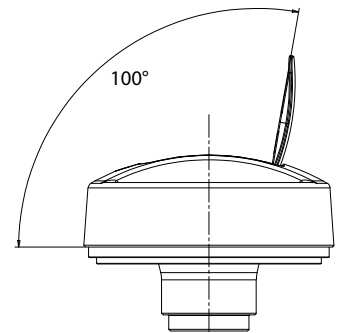
G20A180	X
G20A0197	-
G20A0204	-
* G20A0205	X

**with key and barrels / con chiave e rotore*



RAL7047

G20A186	X
---------	---













STANDARD FILLER NECKS

BOCCHETTONE STANDARD

color codes



RAL9017

Part Nr. Codice	∅	Vent hole Forosfiato	Plate Targhetta
G20A094	35 mm	X	-
G20A004	35 mm	X	NEUTRA
G20A095	35 mm	X	WATER
G20A118	35 mm	X	 ral5015
G20A005	40 mm	X	-
G20A0195	40 mm	-	-
G20A0196	40 mm	-	
G20A032	40 mm	X	NEUTRA
G20A096	40 mm	X	WASSER
G20A097	40 mm	X	WATER
G20A098	40 mm	X	
G20A157	40 mm	X	DIESEL
G20A174	40 mm	X	PETROL
* G20A0196 D	40 mm	-	
G20A0209	40 mm	-	WATER
G20A0216	40 mm	X	 ral5015
* G20A0225 D	40 mm	-	 ral5015
G20A0226	40 mm	X	 ral5015
G20A029	50 mm	X	-
G20A030	50 mm	-	-
G20A039	50 mm	X	NEUTRA
G20A109	50 mm	X	DIESEL
G20A110	50 mm	-	

*food use / uso alimentare






RAL9011

* G20A051 D	40 mm	-	-
-------------	-------	---	---

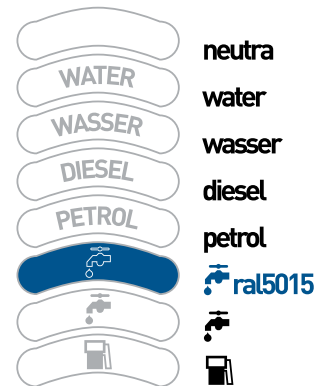
*food use / uso alimentare



RAL7011

G20A046	35 mm	X	-
G20A111	35 mm	X	
G20A047	40 mm	X	-
G20A048	40 mm	X	
G20A123	40 mm	X	 ral5015

LEGEND





STANDARD FILLER NECKS

BOCCHETTONI STANDARD

color codes



NCS 7000

Part Nr. Codice	∅	Vent hole Foro sfiato	Plate Targhetta
G20A0199	40 mm	-	-
G20A0200	40 mm	-	ral5015



NCS 3000

G20A0207	40 mm	X	ral5015
----------	-------	---	---------



RAL9018

G20A078	35 mm	X	-
G20A113	35 mm	X	NEUTRA
G20A080	40 mm	-	-
G20A115	40 mm	-	WASSER
* G20A0195D	40 mm	-	-

*food use / uso alimentare



RAL7048

* G20A183 D	40 mm	X	-
* G20A184 D	40 mm	X	

*food use / uso alimentare



RAL1013

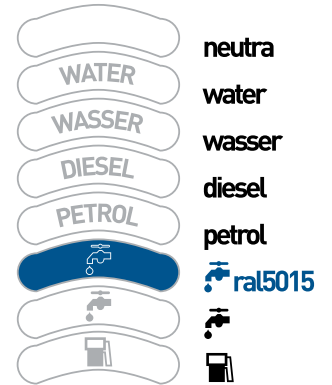
G20A082	40 mm	X	ral5015
---------	-------	---	---------



FIAT 210

G20A165	40 mm	X	ral5015
---------	-------	---	---------

LEGEND





STANDARD FILLER NECKS

BOCCHETTONI STANDARD

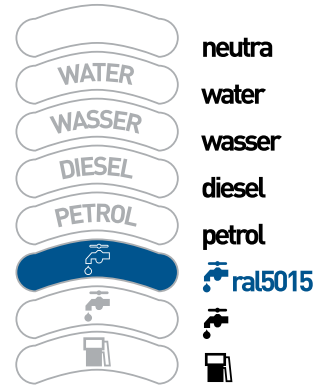
color codes



RAL249F

Part Nr. Codice	∅	Vent hole Foro sfiato	Plate Targhetta
G20A0202	35 mm	X	ral5015
G20A161	40 mm	X	-
G20A153	40 mm	X	ral5015
G20A166	40 mm	X	
G20A0203	35 mm	X	-

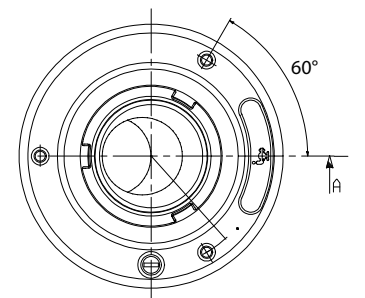
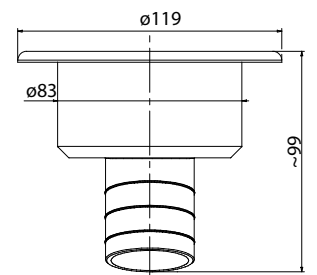
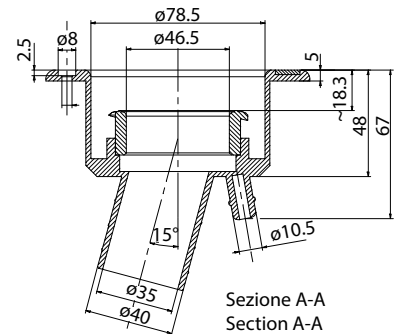
LEGEND



RAL9010

G20A008	35 mm	X	-
* G20A008 D	35 mm	X	-
G20A100	35 mm	X	NEUTRA
G20A101	35 mm	X	
G20A102	35 mm	X	ral5015
* G20A102 D	35 mm	X	ral5015
G20A009	40 mm	X	-
G20A063	40 mm	-	-
* G20A063 D	40 mm	-	-
G20A051	40 mm	-	
G20A069	40 mm	X	WASSER
G20A070	40 mm	X	
G20A107	40 mm	X	NEUTRA
G20A108	40 mm	X	WATER
G20A137	40 mm	-	WASSER
G20A171	40 mm	-	WATER
G20A175	40 mm	X	PETROL
G20A176	40 mm	X	ral5015
* G20A0208 D	40 mm	-	ral5015
G20A143	50 mm	X	DIESEL
G20A061	50 mm	X	-

*food use / uso alimentare





LONG FILLER NECKS

BOCCHETTONI LUNGI

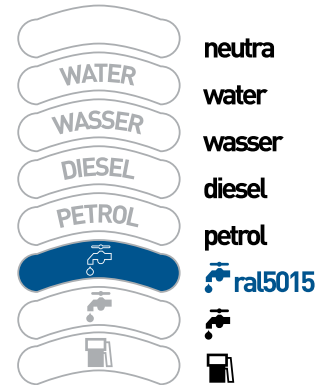
color codes



RAL9017

Part Nr. Codice	∅	Vent hole Foro sfiato	Plate Targhetta
G20A121	25 mm	X	-
G20A027	25 mm	X	NEUTRA
G20A103	25 mm	X	WATER
G20A131	35 mm	X	-
G20A093	35 mm	X	NEUTRA
G20A0218	35 mm	X	WATER
G20A124	40 mm	X	-
G20A025	40 mm	X	NEUTRA
G20A104	40 mm	X	WATER
G20A105	40 mm	X	DIESEL
G20A106	40 mm	X	
G20A185	40 mm	X	WASSER
G20A130	50 mm	X	-
G20A026	50 mm	X	NEUTRA
G20A138	50 mm	X	DIESEL
G20A0236	50 mm	-	DIESEL

LEGEND



RAL 7012

G20A189	50 mm	X	-
G20A190	50 mm	X	DIESEL



NCS 7000

G20A177	50 mm	-	DIESEL
---------	-------	---	--------



LONG FILLER NECKS

BOCCHETTONI LUNGI

color codes



NCS 3000

Part Nr. Codice	∅	Vent hole Foro sfiato	Plate Targhetta
G20A163	50 mm	-	DIESEL



RAL9018

G20A124.1	40 mm	X	-
G20A119	50 mm	-	-
G20A084	50 mm	-	DIESEL



RAL9001

G20A151	40 mm	X	WASSER
G20A135	40 mm	X	-



FIAT 210

* G20A0229 D	40 mm	X	ral5015
G20A167	50 mm	-	DIESEL

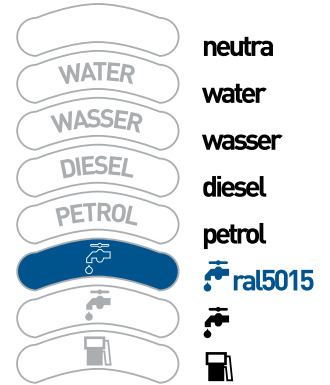
*food use / uso alimentare



RAL9010

G20A117	25 mm	X	-
G20A059	25 mm	X	NEUTRA
G20A099	25 mm	X	WATER
G20A141	35 mm	X	-
G20A142	35 mm	X	NEUTRA
G20A0217	35 mm	X	WATER
G20A132	40 mm	X	-
G20A057	40 mm	X	NEUTRA
G20A150	40 mm	X	WATER
G20A133	50 mm	X	-
G20A058	50 mm	X	DIESEL

LEGEND





LONG FILLER NECKS

BOCCHETTONI LUNGI

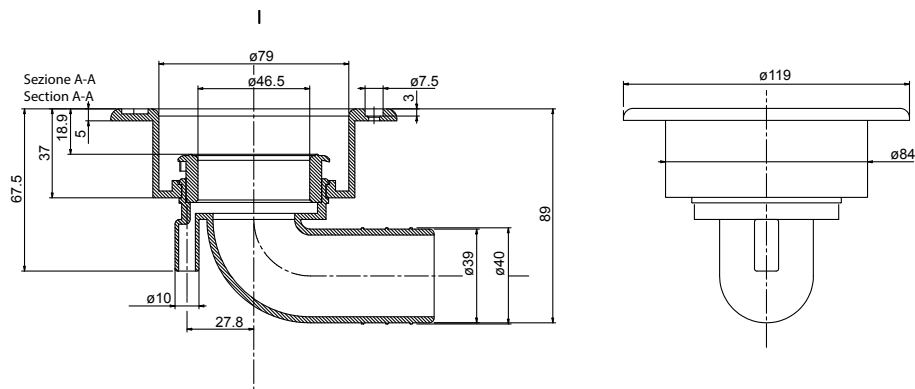
color codes

STANDARD FILLER NECK WITH BENT 90° / BOCCHETTONE STD CON CURVA 90°



RAL9017

Part Nr. Codice	∅	Vent hole Forosfiato	Plate Targhetta
G20A134	40 mm	X	-
G20A006	40 mm	X	WASSER



color codes

RUBBER GASKET FILLER / GUARNIZIONE IN GOMMA



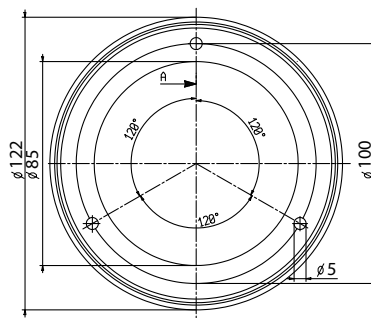
RAL9017

Part Nr. Codice	cm	
PLA265	123x84	AVAILABLE FOR STANDARD AND LONG FILLER NECKS



RAL9010

PLB783	123x84	AVAILABLE FOR STANDARD AND LONG FILLER NECKS
--------	--------	--





LONG FILLER NECKS

BOCCHETTONI LUNGH

color codes



RAL9017



2 GRIPS TANK CAP



3 GRIPS TANK CAP

KIT FILLER NECK WITH CAP TANK

Part Nr. Codice	∅	Vent hole Foro sfiato	Plate Targhetta	Filler neck type Tipo bocchettone	Cap type Tipo di tappo
* G20A0223	35 mm	X	NEUTRA	STANDARD	2 GRIPS
* G20A189	35 mm	X	WATER	LONG / LUNGO	3 GRIPS
G20A144	40 mm	X	WASSER	STANDARD	3 GRIPS
G20A191	40 mm	X	WATER	LONG / LUNGO	3 GRIPS
* G20A0230	40 mm	-	WATER	LONG / LUNGO	3 GRIPS
* G20A0231	40 mm	-	DIESEL	LONG / LUNGO	3 GRIPS
* G20A0221	40 mm	X	NEUTRA	STANDARD	2 GRIPS
G20A160	50 mm	-	DIESEL	LONG / LUNGO	2 GRIPS
* G20A149	50 mm	X	DIESEL	STANDARD	3 GRIPS

*with key and barrels / con chiave e rotore



RAL9010



2 GRIPS TANK CAP



3 GRIPS TANK CAP

* G20A190	35 mm	X	WATER	LONG / LUNGO	3 GRIPS
* G20A0220	35 mm	X	NEUTRA	STANDARD	2 GRIPS
* G20A192	40 mm	X	WATER	LONG / LUNGO	3 GRIPS
* G20A0222	40 mm	X	NEUTRA	STANDARD	2 GRIPS
G20A155	40 mm	X	WASSER	STANDARD	2 GRIPS

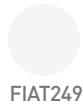
*with key and barrels / con chiave e rotore



LONG FILLER NECKS

BOCCHETTONI LUNGI

color codes



2 GRIPS TANK CAP



2 GRIPS TANK CAP



2 GRIPS TANK CAP

color codes



3 GRIPS TANK CAP

KIT FILLER NECK WITH CAP TANK

Part Nr. Codice	Ø	Vent hole Foro sfiato	Plate Targhetta	Filler neck type Tipo bocchettone	Cap type Tipo di tappo
* G20A172	40 mm	-	ral5015	STANDARD	2 GRIPS
G20A0224	40 mm	X	ral5015	STANDARD	2 GRIPS

*with key and barrels / con chiave e rotore

G20A156	50 mm	-	DIESEL	LONG / LUNGO	2 GRIPS
---------	-------	---	--------	--------------	---------

* G20A0192	50 mm	-	DIESEL	LONG / LUNGO	2 GRIPS
------------	-------	---	--------	--------------	---------

*con guarnizione PLA265 / with rubber gasket PLA265

KIT FILLER NECK WITH CAP TANK

Part Nr. Codice	Ø	Vent hole Foro sfiato	Plate Targhetta	Filler neck type Tipo bocchettone	Cap type Tipo di tappo
G20A173	40 mm	-	ral5015	STANDARD	3 GRIPS



LONG FILLER NECKS

BOCCHETTONI LUNGHI

color codes



RAL7047



2 GRIPS TANK CAP+FLAT



NCS 7000



2 GRIPS TANK CAP+FLAT

KIT FILLER NECK WITH CAP TANK

Part Nr. Codice		Vent hole Foro sfiato	Plate Targhetta	Filler neck type Tipo bocchettone	Cap type Tipo di tappo
G20A188	40 mm	-	ral5015	STANDARD	2GRIPS+FLAT

* G20A0235	40 mm	-	ral5015	STANDARD	2GRIPS+FLAT
-------------------	--------------	---	----------------	----------	-------------

**with key and barrels / con chiave e rotore*

LEGEND

