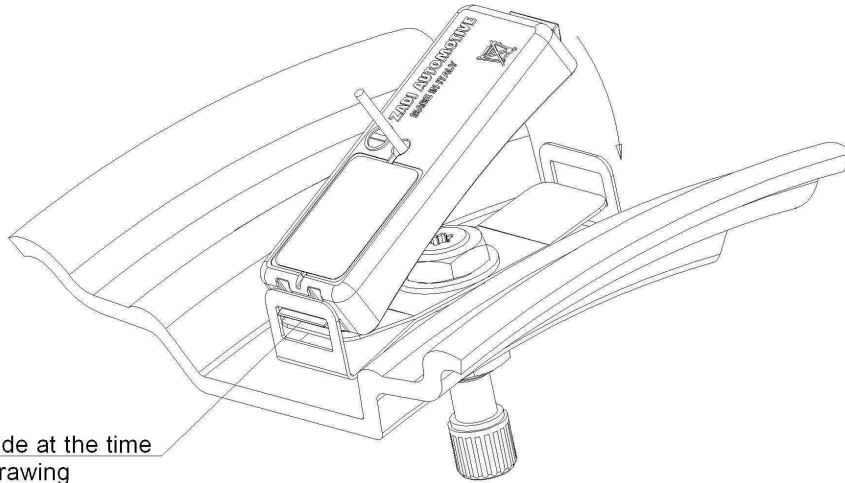
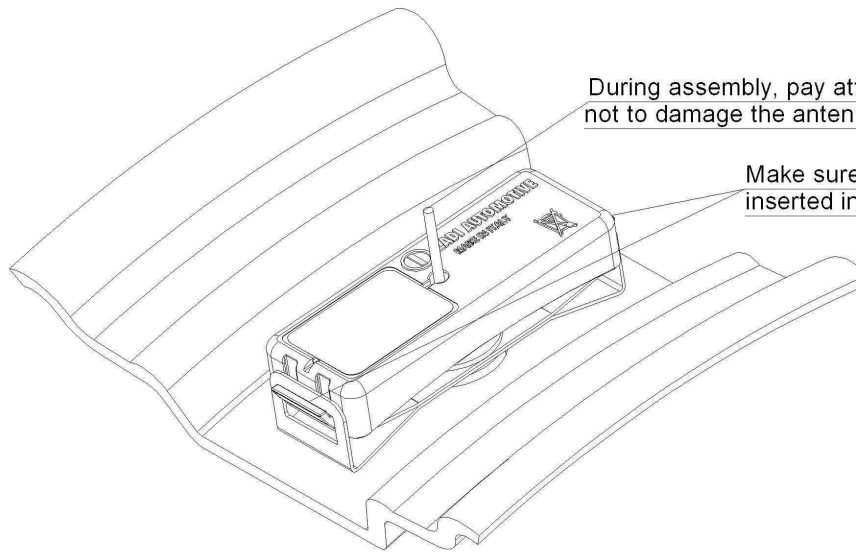


RTS Sensor  
Instructions for assembly on the rim



To assemble the sensor , insert one side at the time starting with the side indicated in the drawing



During assembly, pay attention not to damage the antenna

Make sure that the sensor is firmly inserted into the fixing support