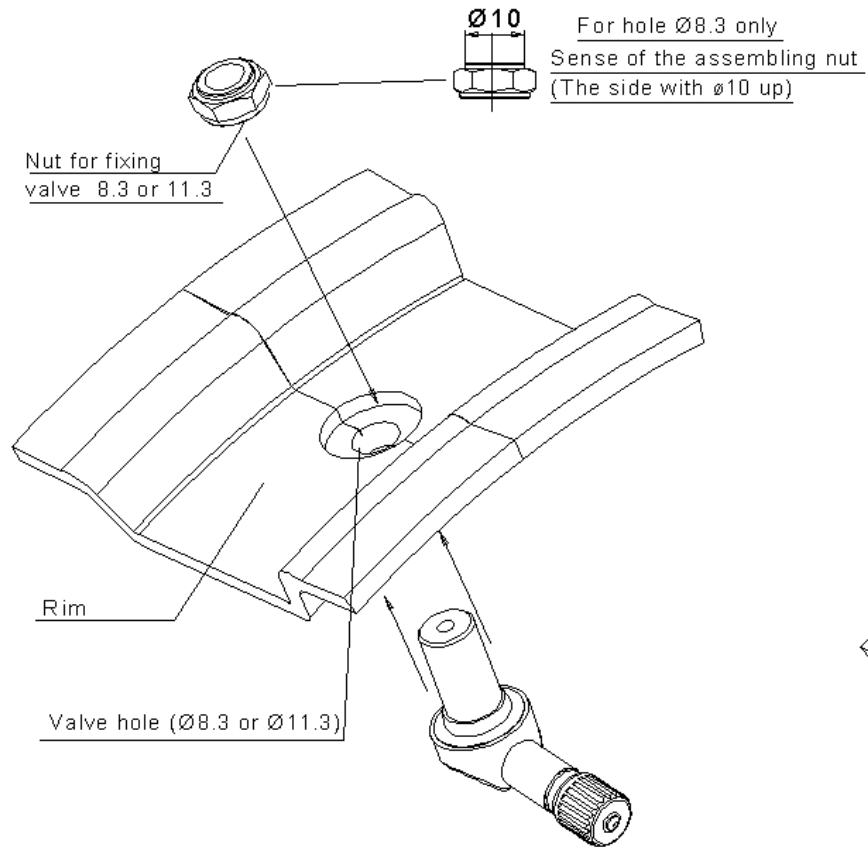


## Scheme of assembly - Sensor support and 90° valve

### Phase 1 - Assembly of the 90° valve on the rim



### Phase 2 - Assembly of the Sensor support to the valve

